

ÆRATIS

(ě r ' - u h - t i s)

INSTALLATION INSTRUCTIONS

Aeratis Porch Flooring must be installed in accordance with installation instructions to maintain the product warranty. Aeratis comes with a standard 10 year residential transferable warranty which can be extended to 20 years if the application is registered and approved with Aeratis prior to installing the product. See www.aeratis.com to register.

GENERAL INFORMATION

Aeratis tongue-and-groove porch flooring is made from PVC and organic and inorganic materials. Aeratis uses the latest emerging PVC technology providing the closest look of wood available with superior performance. Aeratis porch flooring is available in Weathered Wood, White Cedar or Redwood. It is 7/8" x 3-1/8" and available in 10', 12', and 16' lengths.

STORAGE AND HANDLING

Store Aeratis on a flat surface, supporting material every 2 feet. Use a solid cover to protect against dirt buildup or fading on the surface of the product.

INTENDED APPLICATION

Aeratis porch flooring is designed and intended for covered and uncovered porch applications. Read Aeratis installation instructions completely prior to framing or installing the product. Failure to install the Aeratis porch flooring, *in accordance with the installation instructions*, will void the warranty. **(Pay close attention to the slope and ventilation requirements)**

UNCOVERED APPLICATIONS

Aeratis PVC porch flooring may be used on uncovered applications that attach or join a covered application. **NOTICE: the 1/4" per foot slope must be followed.** Example: If a porch is covered or uncovered and is 10' deep, the slope from the structure to the outside beam should be a minimum of 2.5" Failure to slope the product properly **will result in voiding the warranty.** Please see installation drawings on page 4 for visual examples.

ACCLIMATION

Store Aeratis porch flooring in the environment in which the product is going to be installed for a minimum of 24 hours prior to installation.

TOOLS AND FASTENERS

- Screw gun or Drill
- Hardwood flooring nailer or stapler, manual or pneumatic for barbed cleat T or L nails. (Staple specs: 2" staples with 1/2" crown, stainless steel 15-16 gauge)
- Caulk Gun • Chop Saw • Circular Saw • Tape Measure • Chalk Line • Router
- Plastic and wood compatible construction adhesive • Safety glasses • Gloves
- For best performance we recommend a GRK #8 x 2" stainless steel trim-head composite screws (Pheinox™ RT Composite™) or the GRK #8 x 2" Climatek coated Trim™ Head composite screws (uses T-10 starhead bit) (For more information on screws visit www.grkfastners.com) *The purpose for this recommendation is, the head is smaller than other trim head screws.*
- 2" stainless steel barbed cleat flooring nails, T or L head
(For information on where to buy the flooring nails, call us at 877-788-1887.)

Aeratis Porch Plank
7/8" x 3-1/8" Width
10', 12', & 16' Length



Quarter Round
9/16" x 9/16" x 8'



Ogee Nosing
1- 3/4" x 1-3/8" x 8'

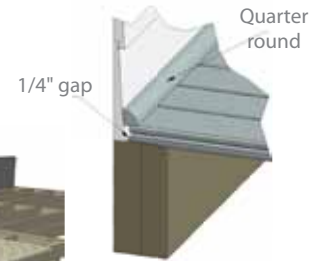
Half Round Nosing
1" x 1/2" x 8'

Chamfer Nosing
1" x 3/8" x 8'



EXPANSION REQUIREMENTS

Aeratis requires leaving a 1/4" gap where the product meets any wall. Leaving a gap allows normal expansion and contraction to occur.



SLOPE RECOMMENDATIONS

Slope 1/4" per foot away from the house to promote water runoff.

1/4" per foot slope



Recommended Minimum 18" Ventilation

VENTILATION REQUIREMENTS / RECOMMENDATIONS

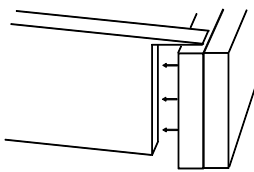
Aeratis porch flooring should only be installed in well ventilated applications that create a continuous airflow under the porch flooring. Heat and moisture buildup under the porch surface and must have a way to exit freely. See detailed framing and ventilation drawings for requirements. (Pg. 4)

FRAMING REQUIREMENTS

Install Aeratis Porch flooring 16" on center (perpendicular to the house recommended to help promote water runoff).

Preferred Framing Methods

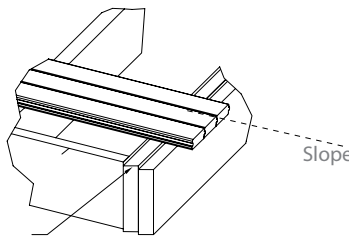
Option #1



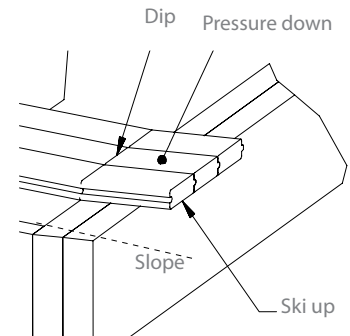
Option #2

1/4" per foot slope

Cut end boards to follow 1/4" per foot slope of the framing



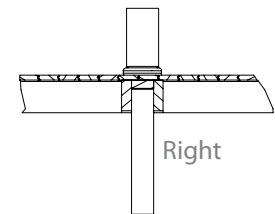
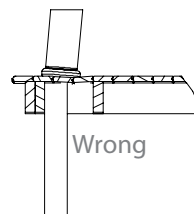
Incorrect Framing Method



Installing the two end boards to follow the pitch of the porch allows Aeratis to follow the pitch so there is no dip where water can be trapped.

COLUMNS AND PORCH POSTS

Aeratis porch flooring must be properly supported with structural blocking and framing under columns and porch posts to prevent sagging and possible structural failure over time.



FASTENING

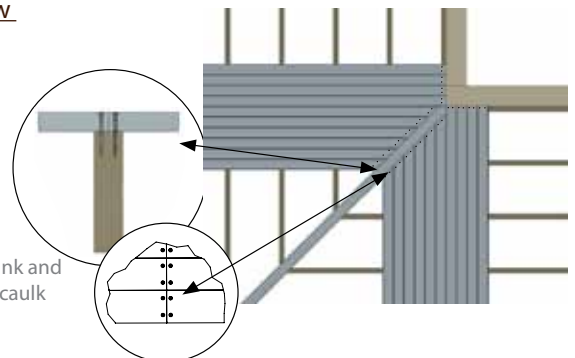
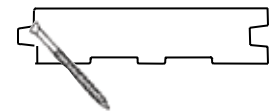
Barbed Cleat Nail - A 1/4" bead construction adhesive highly recommended on each joist to secure product in place. The head of the barbed cleat nail should sit flush with the surface of the material.

___ OR

GRK Screws - Adhesive is not required, but a bead of construction adhesive on each joist is recommended with the screws. The head of the screw should sit flush with the surface of the material.

___ OR

1/2 Crown 2" stainless steel flooring staple - A 1/4" bead construction adhesive highly recommended on each joist to secure product in place.



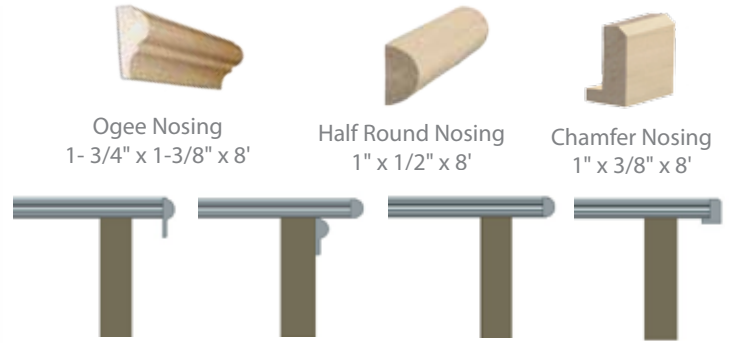
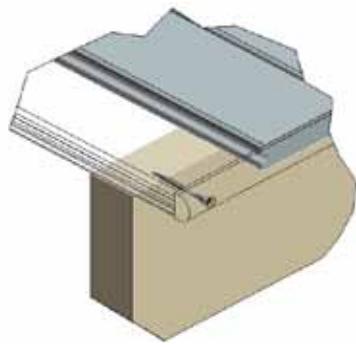
Option:
Screws can be countersunk and holes filled with colored caulk to match floor.

MITER JOINTS & BUTT JOINTS

Secure miter joints and butt joints with two screws per plank and use a clear slow curing pvc cement.

TRIM

Aeratis offers 3 standard trim mouldings to finish the porch. Secure with GRK #8 Trim™ Head screws and a PVC glue or compatible construction adhesive.



FINISHING

Aeratis can be routed along the edge to create a chamfer or round edge.

Aeratis products do not require paint for protection, but may be painted if desired.

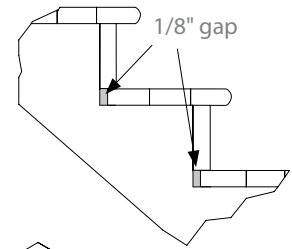
SEE PAINT INSTRUCTIONS AT WWW.AERATIS.COM FOR THE LATEST INSTRUCTIONS AND PAINT RECOMMENDATIONS.



Always follow the paint manufacturer's recommendations. Ensure the Aeratis porch flooring surface is clean and dry before painting. Do not paint if there is dew or condensation on the porch. Aeratis porch flooring must be completely dry before painting. Simply wiping off condensation does not mean it is ready for paint. Note: always test paint compatibility before painting entire porch.

STAIR APPLICATIONS

Aeratis can be used in stair applications installing on 12" centers. Leave a 1/8" gap where Aeratis meets the stringer. Secure in place with GRK screws. Rout the edge of the product to create nosing. *Aeratis does not recommend tacking on the half-round trim to create nosing on stair applications.*

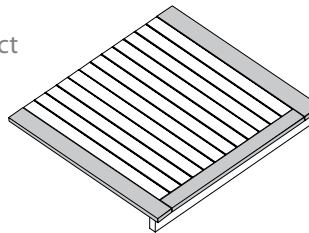


CONSIDERATIONS

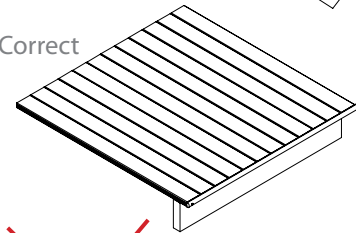
Picture Framing

Do not picture frame the edge of the porch. Aeratis porch flooring may expand in length with temperature and this may cause unwanted spacing in outer planks.

Incorrect

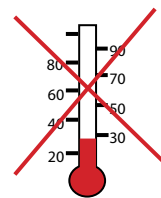


Correct



Colder temperatures

Aeratis does not recommend installing product in temperatures below 30 degrees. Cold temperatures may cause the undesired installation issues.



Plywood Substrate/Rubber Membrane

Aeratis may be installed using 2 x 4 sleepers over plywood substrate/rubber membrane. (See Concrete Pad and Second Floor Porch Application Drawings.)

Furniture Pads

Aeratis recommends homeowners put furniture pads on all furniture that will be used on the porch. This will help to minimize scuffing. Rocking chairs use self-adhering felt.

WARRANTY

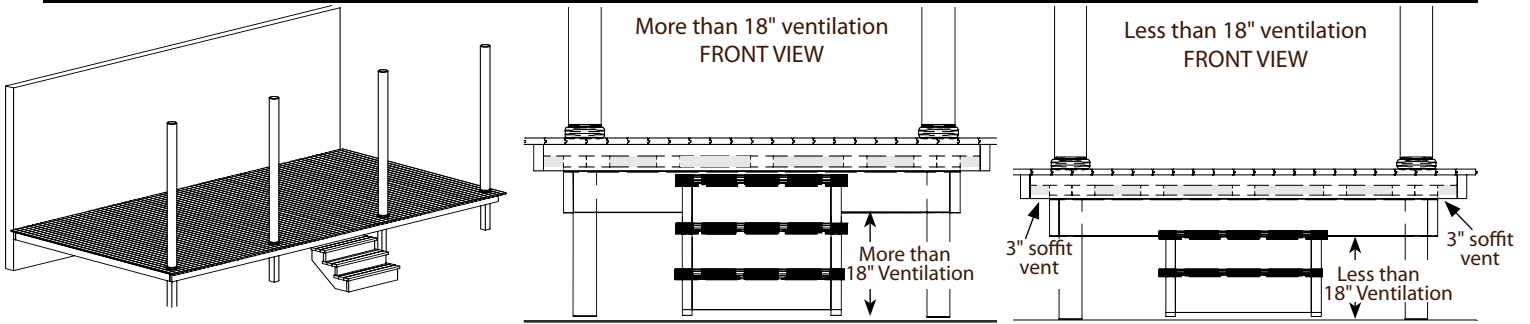
Failure to comply with Aeratis's installation instructions may void the warranty.

IMPORTANT REMINDERS:

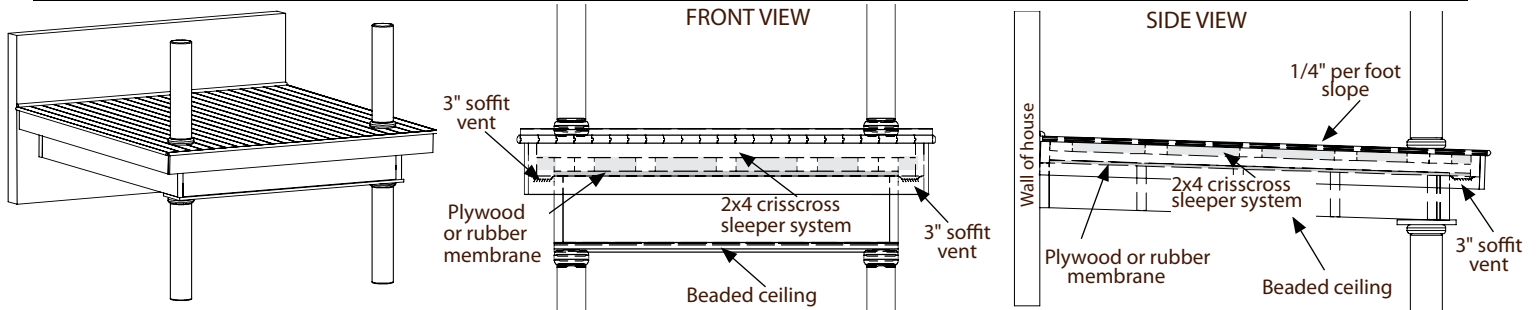
- **Install with 1/4" slope to ensure water runoff**
- **Can be installed directly to concrete**
- **Joist spacing 16" on center or less**

PLEASE CONTACT AERATIS FOR A REVIEW OF YOUR AERATIS INSTALLATION.

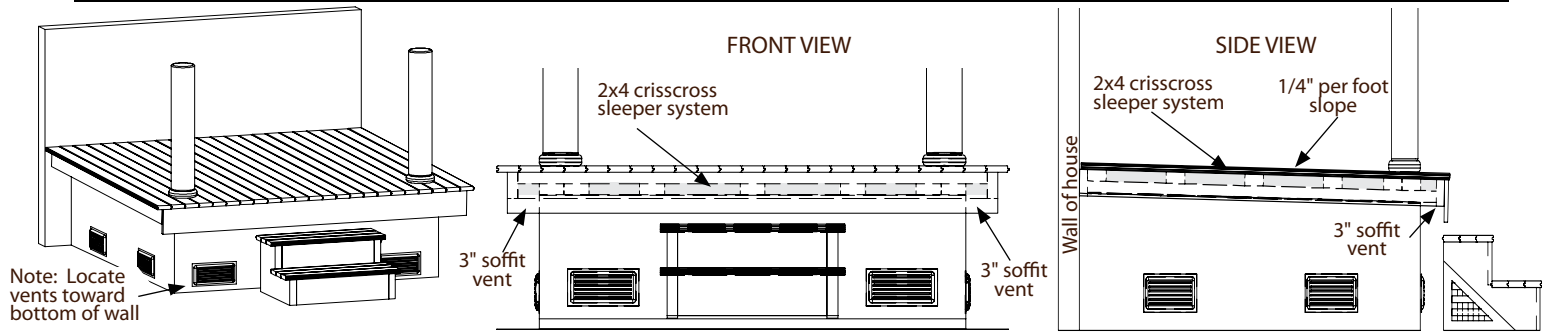
STANDARD PORCH INSTALLATION - PERPENDICULAR



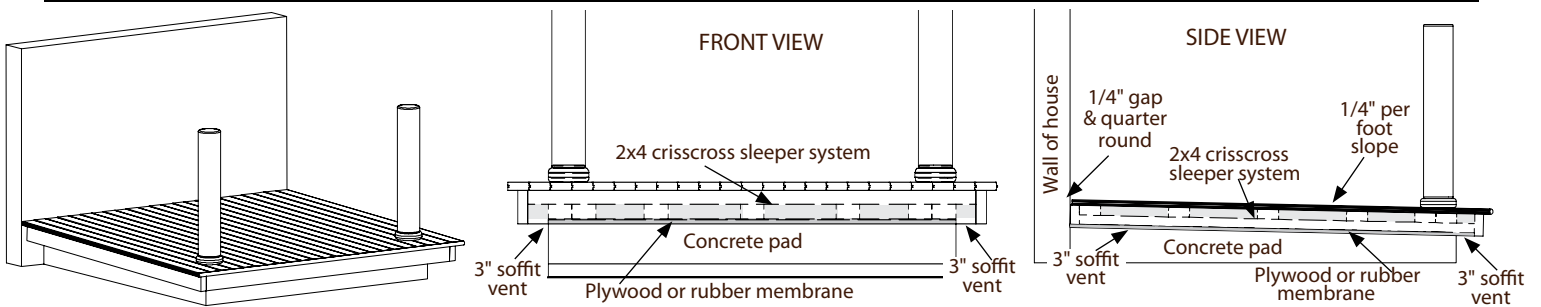
SECOND FLOOR PORCH INSTALLATION - PERPENDICULAR



BRICK/STONE FOUNDATION INSTALLATION



CONCRETE PAD INSTALLATION - PERPENDICULAR



THREE WALL INSTALLATION

