

ÆRATIS®

PVC PORCH PRODUCTS

ARCHITECTURAL SUBMITTAL

Engineered as a true replacement for low density wood products and inferior composites. All products created by Aeratis have historical precedence and are engineered to fill a material performance void in the building industry.

- » Approved in 48 states for national register and historic places replacement
- » Warrantied against the effects of thermal expansion and contraction.
- » Can be made waterproof
- » Class "A" or Class "B" fire rated for rooftop and multi-family applications
- » ADA Slip Compliant WET and DRY
- » Color through (Heritage and Classic) or paint ready (Traditions)
- » Termite proof
- » Highest rated live load in the category
- » Offering the only PVC ceiling/wainscoting for 24" OC installation

Contents:

- » Material Safety Data Sheets
- » Product profile drawings
- » Product Performance Characteristics
- » International Code Counsel Report (ESR-3511 Separate Document)
- » Product Warranty Document


www.aeratis.com

ÆRATIS

PVC PORCH PRODUCTS

MATERIAL SAFETY DATA SHEET

NAME OF PRODUCT AERATIS

SECTION 1: PRODUCT AND COMPANY IDENTIFICATION

PRODUCT NAME: Aeratis PVC Porch Flooring

MANUFACTURER: Building Products International, LLC

ADDRESS: PO Box 11087, Chandler, AZ 85248

Chemical Name: Composite mixture

EMERGENCY PHONE:

PRODUCT USE: Covered and Uncovered Porch Floors

SECTION 2: COMPOSITION/INFORMATION ON INGREDIENTS

Chemical Name: Polyvinyl Chloride Compound

CAS NO. N/A

% WT: 50 – 85%

Chemical Name: Lubricant mixture

Calcium Stearate, CAS No.: 1592-23-0

Paraffin Wax, CAS No.: 8002-74-2

Polyethylene Wax, CAS No.: 68441-17-8

% WT: 0 – 5%

Chemical Name: Process Aids, Acrylic polymers

CAS No: Proprietary

% WT 0 – 3%

Chemical Name: Impact Modifiers, Acrylic

CAS No: Proprietary

% WT 0 – 10%

Chemical Name: Colorants

Titanium Dioxide, CAS No: 13463-67-7

Organic Pigments, CAS No: Proprietary

Inorganic Pigments, CAS No: Proprietary

SECTION 3: HAZARDS IDENTIFICATION

EMERGENCY OVERVIEW:

In normal use, the product is not hazardous. However, this product may be cut or finished in ways which produce dust by cutting or sawing. Use of a dust mask is recommended since certain fillers are considered hazardous if the airborne concentration exceeds the OSHA or ACGIH exposure limits for long periods of time. This amount of exposure is considered unlikely with this product due to all fillers in the product being fully stabilized in the plastic resin matrix. Dispose of waste as normal refuse.

SECTION 4: FIRST AID MEASURES

EYES: Rinse immediately with plenty of water, also under the eyelids, for at least 15 minutes. If eye irritations persist, seek medical attention.

SKIN: No known effects

INGESTION: Ingestion of this material is unlikely; however if it does occur, seek medical attention immediately.

INHALATION: This material is not expected to present an inhalation hazard. If having inhalation problems remove to fresh air and seek medical attention.

SECTION 5: FIRE-FIGHTING MEASURES

FLASH POINT: N/A

AUTOIGNITION TEMPERATURE: N/A

NFPA HAZARD CLASSIFICATION

HEALTH: 0 **FLAMMABILITY:** 1 **REACTIVITY:** 0

EXTINGUISHING MEDIA: Water

SPECIAL FIRE FIGHTING PROCEDURES: Use water to keep fire exposed product cool. For fires in enclosed areas, fire fighters must use self-contained breathing apparatus.

SECTION 6: ACCIDENTAL RELEASE MEASURES

ACCIDENTAL RELEASE MEASURES:

Scoop up or vacuum material. Place in a suitable container for disposal in accordance with local, state or federal laws.

SECTION 7: HANDLING AND STORAGE

HANDLING AND STORAGE: Do not use in applications where heavy structural loads must be supported or bracing is required, or directly adjacent to any high heat applications.

OTHER PRECAUTIONS: Do not burn in fireplace, burning barrel, or use as firewood.

SECTION 8: EXPOSURE CONTROLS/PERSONAL PROTECTION

RESPIRATORY PROTECTION: Use in a well ventilated area. Provide ventilation to control nuisance dust levels to worker exposure limits. Use a properly fitting, approved dust respirator for dusty conditions or if breathing of dusts is likely.

EYE PROTECTION: Safety Glasses with side shields.

SKIN PROTECTION: Long sleeved clothing.

OTHER PROTECTIVE CLOTHING OR EQUIPMENT: Safety shoes recommended.

WORK HYGIENIC PRACTICES: Handle in accordance with good industrial hygiene and safety practices.

EXPOSURE GUIDELINES:

Vinyl Chloride:	15 ppm PEL, TWA, Respirable, 15 min. OSHA
Total Dust:	15 mg/m ³ , TWA, OSHA
Total Dust:	10 mg/m ³ , TWA, ACGIH

SECTION 9: PHYSICAL AND CHEMICAL PROPERTIES

APPEARANCE: Profiles are various colors

ODOR: Faint

PHYSICAL STATE: Solid

BOILING POINT: N/A

MELTING POINT: 315° F

VAPOR PRESSURE: N/A

SPECIFIC GRAVITY: 1.1 – 1.3

SECTION 10: STABILITY AND REACTIVITY

REACTIVITY: None

STABILITY: Stable

CORROSIVITY: None

INCOMPATIBILITY: None

REACTIVITY WITH WATER: None

EXPLOSION: Does not support rapid combustion, high dust levels may create potential for explosion

SECTION 11: TOXICOLOGICAL INFORMATION

TOXICOLOGICAL INFORMATION:

Sawing, sanding and machining of this product may produce nuisance dust. See Section 8 for precautions.

SECTION 12: ECOLOGICAL INFORMATION

ECOLOGICAL INFORMATION: Adverse ecological impact is not known or expected under normal use.

SECTION 13: DISPOSAL CONSIDERATIONS

WASTE DISPOSAL METHOD: This finished product is not specifically listed by the EPA as a hazardous waste (40, part 261D), nor is it formulated to contain materials which are listed as hazardous wastes. The generator of waste material has the responsibility for proper waste classification, and disposal in accordance with applicable local, state, and federal regulations.

SECTION 14: TRANSPORT INFORMATION

Domestic transportation of these products are not defined or designated as a hazardous material by the USDOT under Title 49 of the Code of Federal Regulations, 1983 Edition.

SECTION 15: REGULATORY INFORMATION

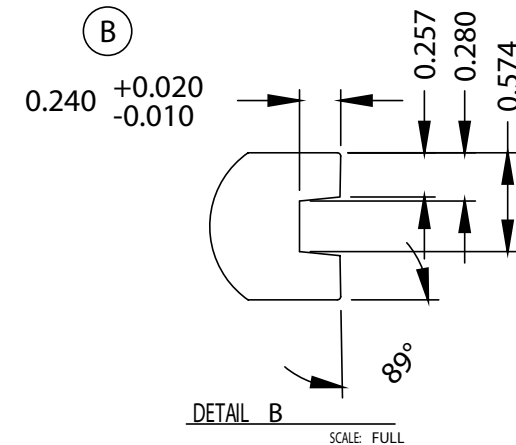
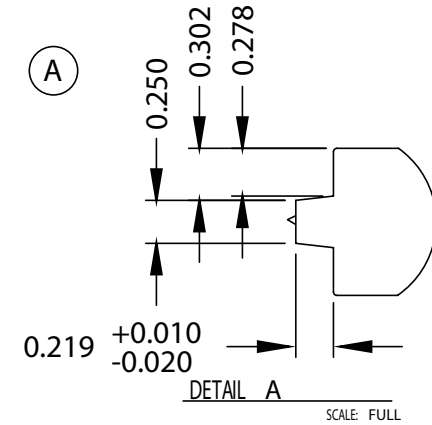
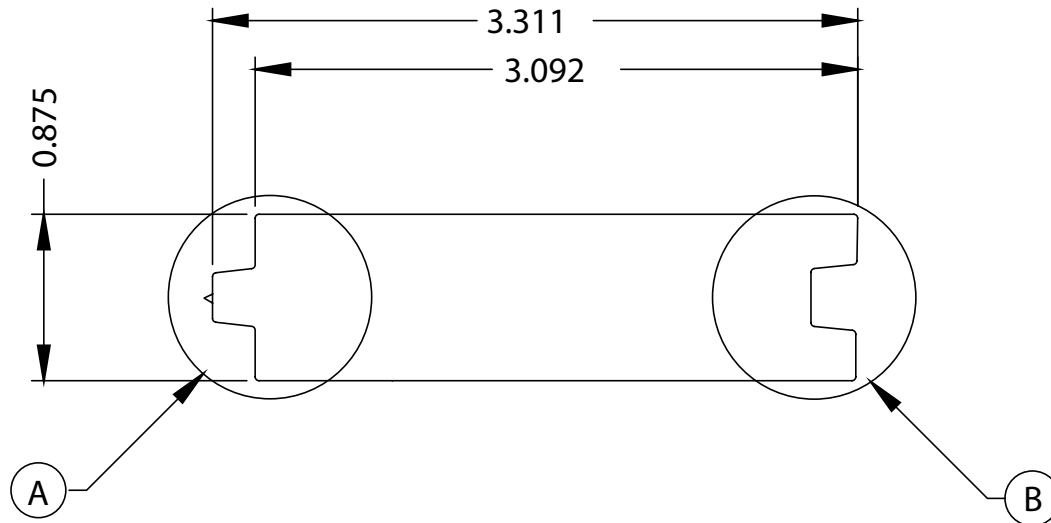
No EPA or OSHA requirements exist for this product. Members of Building Products International, LLC and its affiliates are not liable for information given herein.

Information given herein is offered in good faith as accurate, but without guarantee. Conditions of use and suitability of the product for particular uses are beyond our control; all risks of use of the product are therefore assumed by the user and we expressly disclaim all warranties of every kind and nature, including warranties of merchantability and fitness for particular purpose in respect to the use and suitability of the product. Nothing is intended as a recommendation for uses, which infringe valid patents, or as extending license under valid patents. Appropriate warnings and safe handling procedures should be provided to handlers and users.

ÆRATIS®

PVC PORCH PRODUCTS

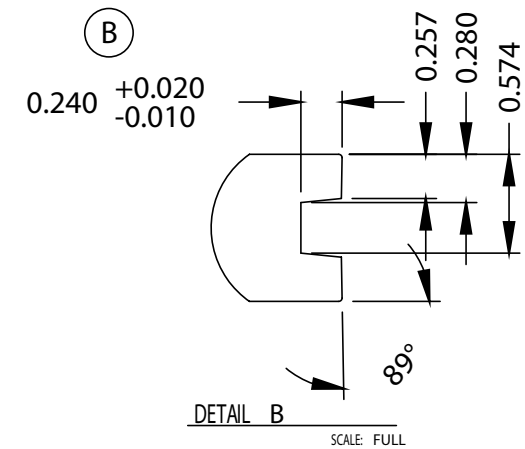
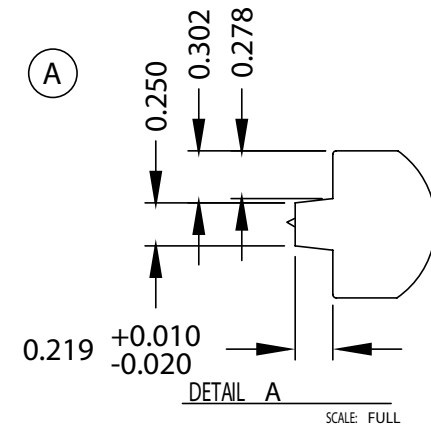
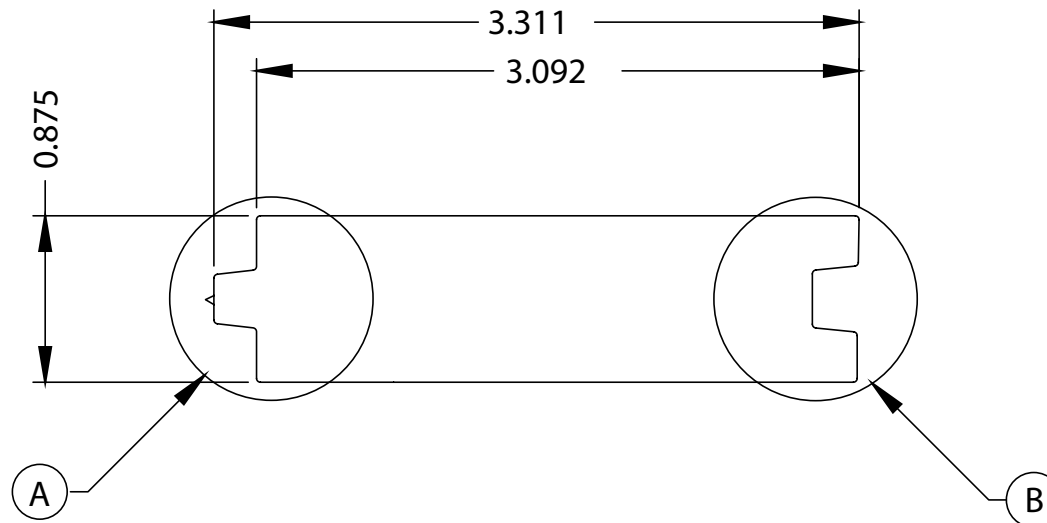
Heritage Product Line



Product Data:

- Lengths: 10', 12', 16' (1" longer than stated)
- Color: Weathered wood, Redwood, Battleship Gray
- Fastening: Flooring nail/staples or trim-head screws
- Ventilation: 0" / Ventilation not required
- Span: 16" O.C. (Live load > 225 lbs p.s.f.)
- Profile: Double sided (Embossing on both sides)

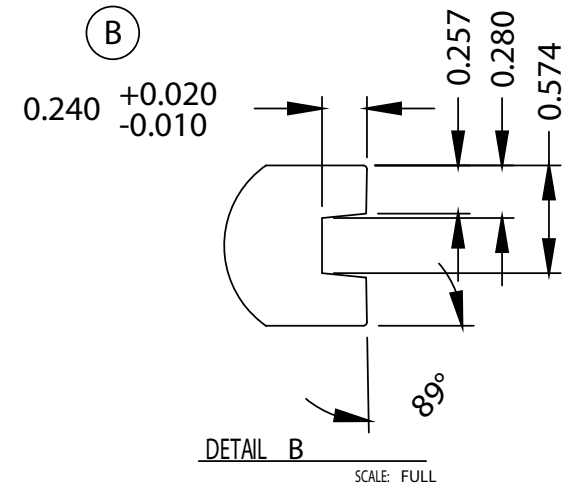
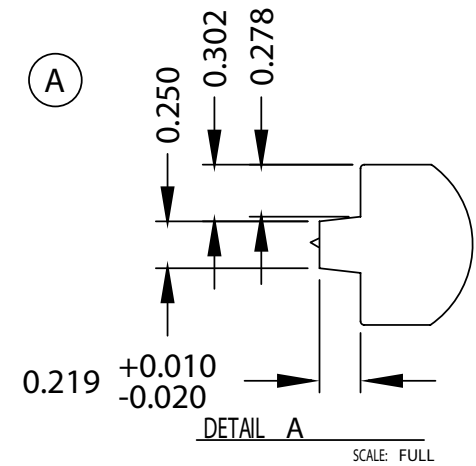
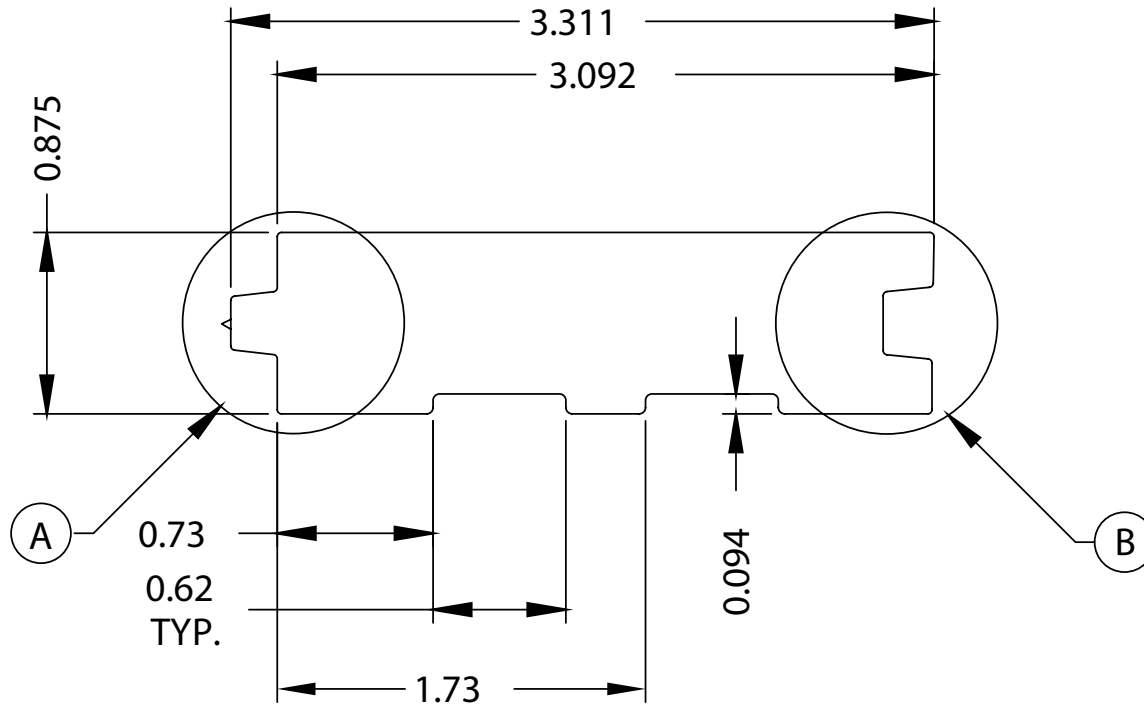
Approved by:	Aeratis Porch Products
REV:	1.01
Date:	01/29/2015
Type:	DWG/DXF/PDF/AI



Product Data:

- Lengths:** 10', 12', 16' (1" longer than stated)
- Fastening:** Flooring nail/staples or trim-head screws
- Ventilation:** 0" / Ventilation not required
- Span:** 16" O.C. (Live load > 225 lbs p.s.f.)
- Color:** Paint Ready (5-A paint adhesion)
- Profile:** Double sided (Embossing on both sides)

Approved by:	Aeratis Porch Products
REV:	1.01
Date:	01/29/2015
Type:	DWG/DXF/PDF/AI

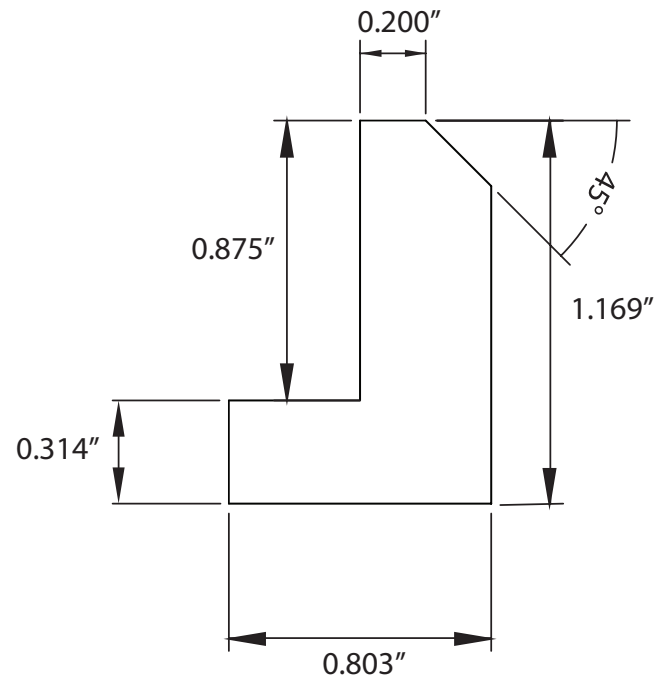


Product Data:

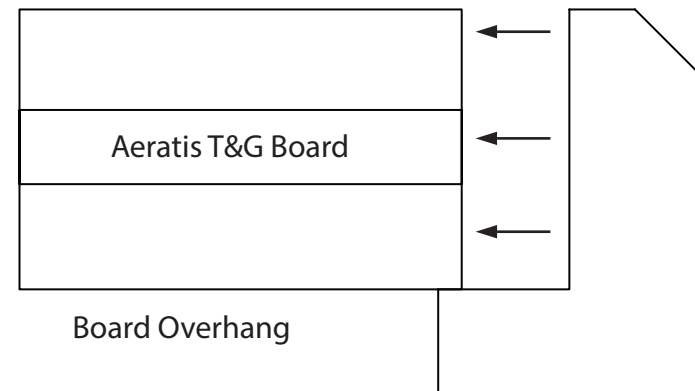
- Lengths:** 10', 12', 16' (1" longer than stated)
- Color:** Weathered Wood, Redwood, Battleship Gray
- Fastening:** Flooring nail/staples or trim-head screws
- Ventilation:** 0" / Ventilation not required
- Span:** 16" O.C. (Live load > 225 lbs p.s.f.)
- Fire Rating:** Class "A" flame spread and under flame

Approved by:	Aeratis Porch Products
REV:	1.01
Date:	01/29/2015
Type:	DWG/DXF/PDF/AI

Chamfer Trim



Chamfer Application



Product Data:

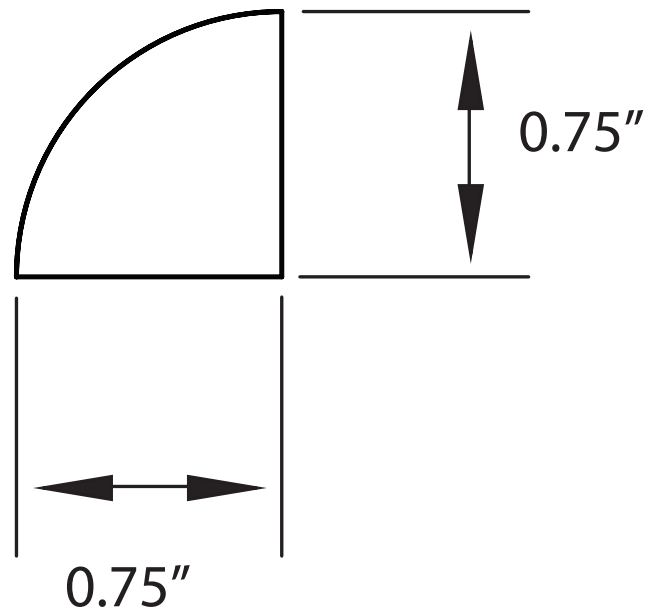
- Lengths:** 8' (1" longer than stated)
- Color:** Weathered Wood, Redwood, Battleship Gray
- Fastening:** Trim-head screw every 12" Clear PVC Glue
- Hole Filler:** DAP Blend Stick
- Material:** Solid extruded PVC (sealed edges)
- Application:** Cover ends of the boards if desired

Approved by:	Aeratis Porch Products
REV:	1.01
Date:	01/29/2015
Type:	DWG/DXF/PDF/AI

ÆRATIS®

PVC PORCH PRODUCTS

Quarter Round



Product Data:

Lengths: 8' (1" longer than stated)

Color: Weathered Wood, Redwood, Battleship Gray

Fastening: Trim-head screw every 12" Clear PVC Glue

Hole Filler: DAP Blend Stick

Material: Solid extruded PVC (sealed edges)

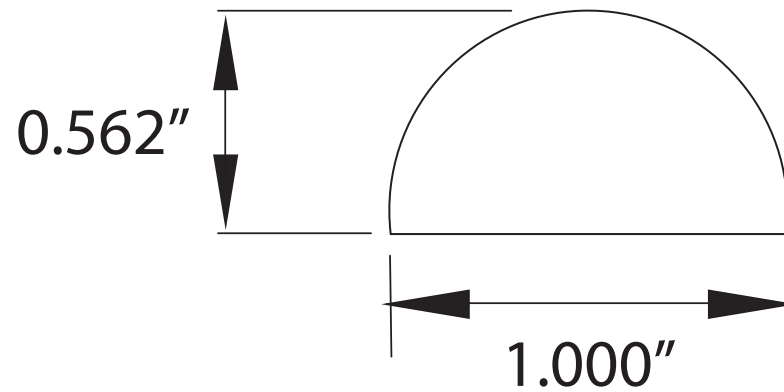
Application: Hide where floor terminated into vertical wall

Approved by:	Aeratis Porch Products
REV:	1.01
Date:	01/29/2015
Type:	DWG/DXF/PDF/AI

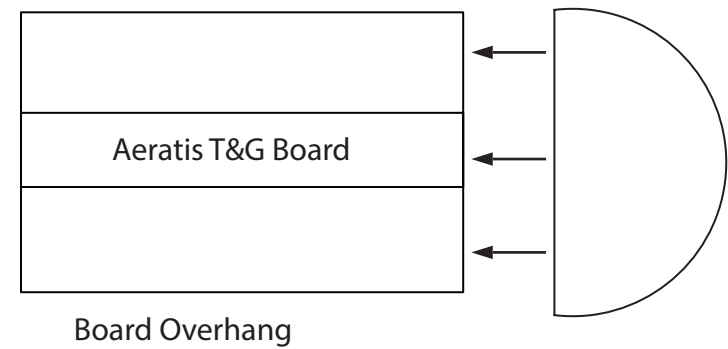
ÆRATIS®

PVC PORCH PRODUCTS

Half Round



Half Round Application



Product Data:

Lengths: 8' (1" longer than stated)

Color: Weathered Wood, Redwood, Battleship Gray

Fastening: Trim-head screw every 12" Clear PVC Glue

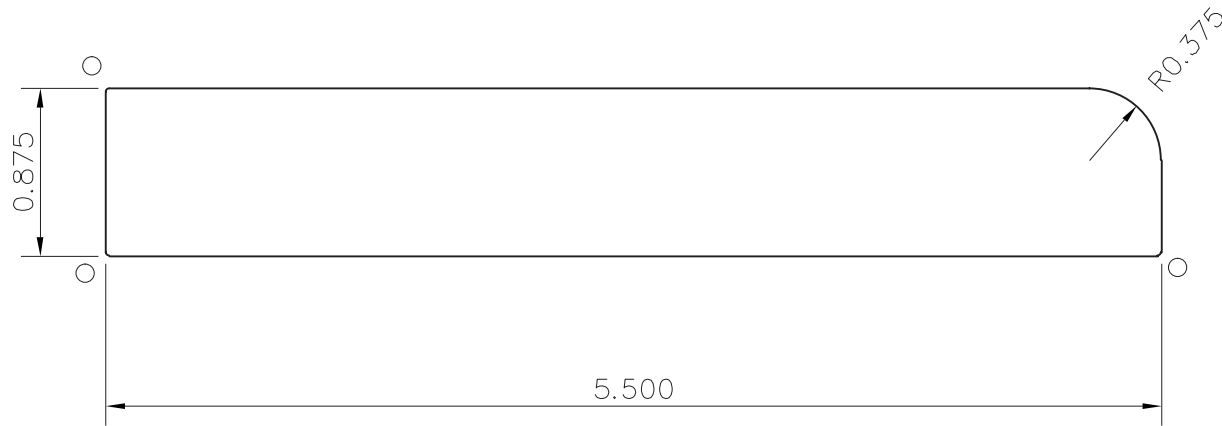
Hole Filler: DAP Blend Stick

Material: Solid extruded PVC (sealed edges)

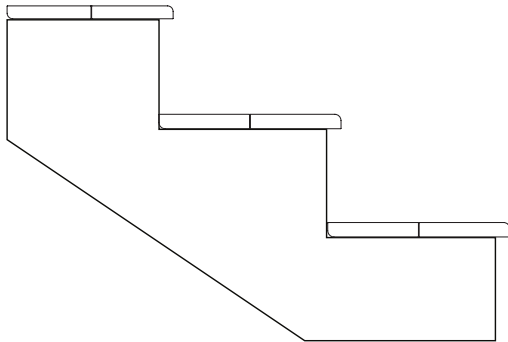
Application: Cover ends of the boards if desired

Approved by:	Aeratis Porch Products
REV:	1.01
Date:	01/29/2015
Type:	DWG/DXF/PDF/AI

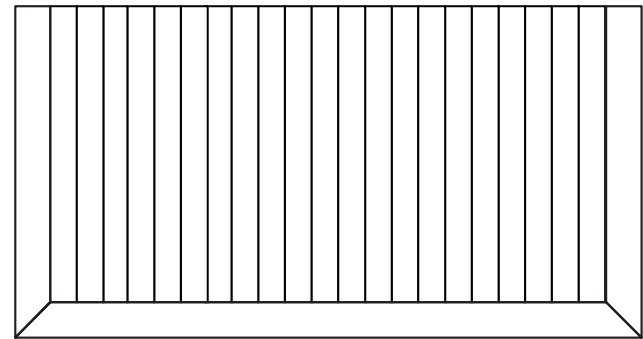
Universal Porch Plank



Stair Application



Picture Frame

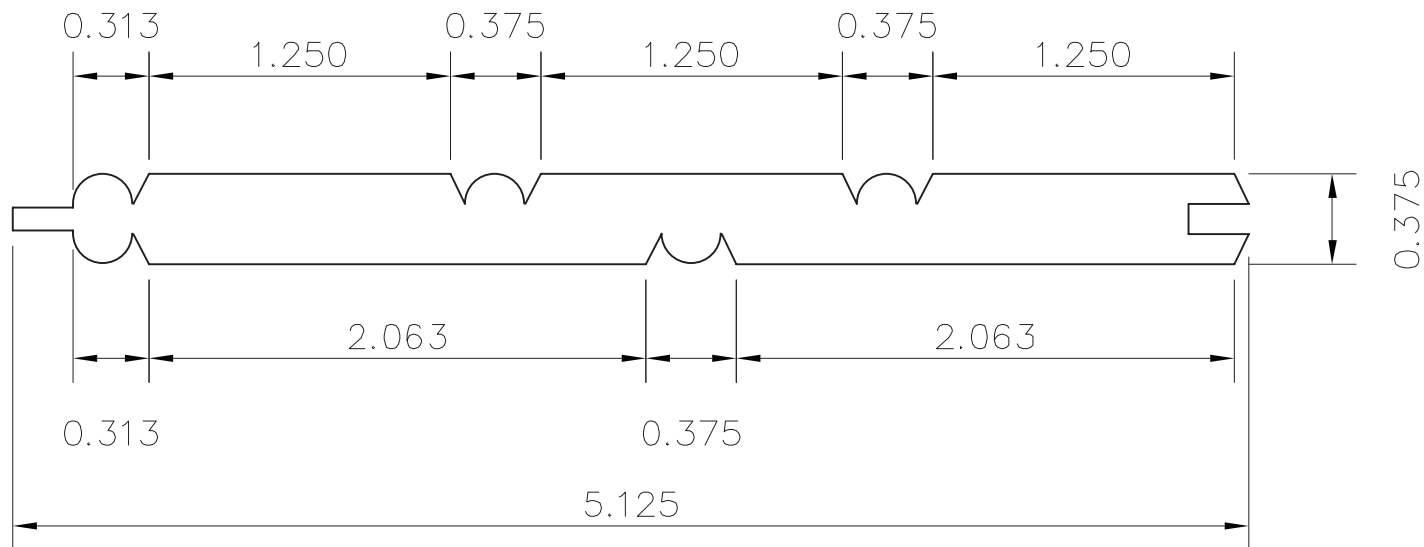


Product Data:

- Lengths:** 12' (1" longer than stated)
- Color:** Weathered Wood, Redwood, Battleship Gray, Paint-ready
- Fastening:** Trim-head screws (Face screw and fill)
- Ventilation:** 0" / Ventilation not required
- Span:** 16" O.C. (Live load > 225 lbs p.s.f.) 12" O.C. on stairs
- Profile:** Double sided

Approved by:	Aeratis Porch Products
REV:	1.01
Date:	01/29/2015
Type:	DWG/DXF/PDF/AI

Porch Ceiling & Wainscoting



Product Data:

Lengths: 16' (1" longer than stated)
Color: Paint-Ready
Fastening: Finish nail/staples or trim-head screws
Ventilation: 0" / Ventilation not required
Span: 24" O.C.

Approved by:	Aeratis Porch Products
REV:	1.01
Date:	01/29/2015
Type:	DWG/DXF/PDF/AI

Aeratis Classic Testing Data

Performance Characteristic	ASTM Method	Results
Flame Spread	ASTM E84	Meets W.U.I. Requirements
ADA Slip Test	ASTM F1679	.82 dry/.72 wet
Coefficient of Expansion	ASTM D696	1.91 x 10 ⁻⁵ in/in/°F
Compression Parallel	ASTM D198	2605 psi
Shear	ASTM 143	2939 psi
Screw Withdrawal	ASTM D1761	806 lbs
Decay Resistance	ASTM D1413	No Decay
Termite Resistance	ASTM D3345	10 - Highest Rating
Weatherability - 2000 hours	ASTM D2565	91% of Baseline MOR
50 Cycle Freeze Thaw	AC 174	93% of Baseline MOR
Water Absorption	ASTM 570	1.21%
Modulus of Rupture	ASTM D6109	16" O.C. - 3149
Modulus of Elasticity	ASTM D6109	16" O.C. - 372,000

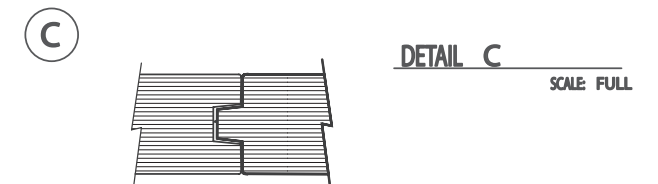
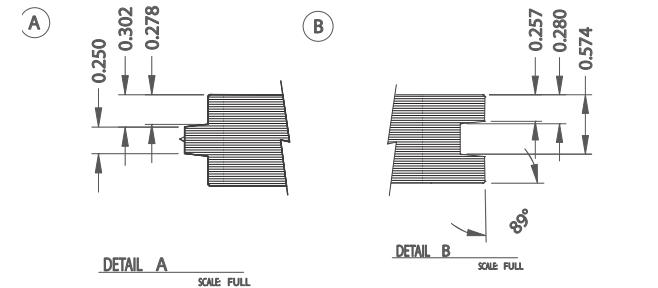
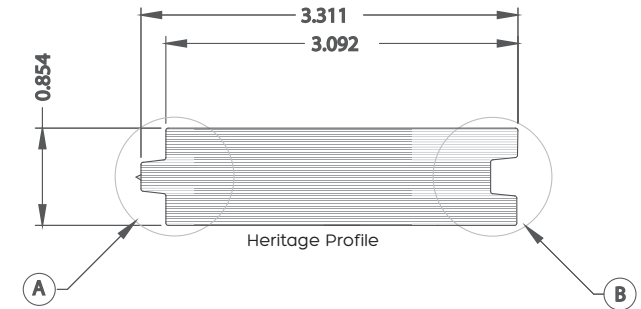
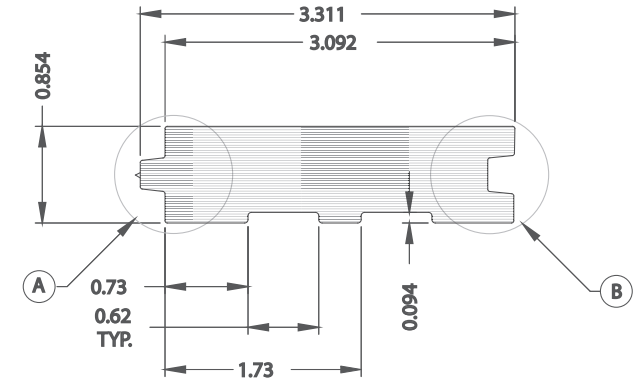
Aeratis Heritage Testing Data

Performance Characteristic	ASTM Method	Results
Flame Spread	ASTM E84	Class B or better
ADA Slip Test	ASTM F1679	.82 dry/.72 wet
Coefficient of Expansion	ASTM D696	1.91 x 10 ⁻⁵ in/in/°F
Compression Parallel	ASTM D198	2605 psi
Shear	ASTM 143	2939 psi
Screw Withdrawal	ASTM D1761	806 lbs
Decay Resistance	ASTM D1413	No Decay
Termite Resistance	ASTM D3345	10 - Highest Rating
Weatherability - 2000 hours	ASTM D2565	91% of Baseline MOR
50 Cycle Freeze Thaw	AC 174	93% of Baseline MOR
Water Absorption	ASTM 570	1.21%
Modulus of Rupture	ASTM D6109	16" O.C. - 3,000
Modulus of Elasticity	ASTM D6109	16" O.C. - 370,000

Aeratis Traditions Testing Data

Performance Characteristic	ASTM Method	Results
Flame Spread	ASTM E84	Class B or better
Coefficient of Expansion	ASTM D696	1.91 x 10 ⁻⁵ in/in/°F
Compression Parallel	ASTM D198	2605 psi
Shear	ASTM 143	2939 psi
Screw Withdrawal	ASTM D1761	806 lbs
Decay Resistance	ASTM D1413	No Decay
Termite Resistance	ASTM D3345	10 - Highest Rating
Water Absorption	ASTM 570	1.21%
Modulus of Rupture	ASTM D6109	16" O.C. - 2300
Modulus of Elasticity	ASTM D6109	16" O.C. - 362,000

Aeratis Profile Details



ÆRATIS

PVC PORCH PRODUCTS

Residential and Commercial Warranty

Aeratis warrants to the original purchaser ("Purchaser") that, for a period of ten (10) years from the date of original consumer purchase, under normal use and service condition, Aeratis products shall be free from material defects in workmanship and materials, and shall not check, split, splinter, rot or suffer structural damage from termites or fungal decay. Aeratis products require unstacked acclimation for a period of 48 hours prior to install. Aeratis will take on the natural look of the wood it is replacing and some fading will occur due to natural weathering, therefore Aeratis does not warrant color consistency or against fading. This warranty is provided that the Product is installed in accordance with the current Aeratis installation instructions. Aeratis's recommended application for Aeratis Porch Plank is for covered and uncovered porch applications. Any unauthorized alteration or use of the Product or failure to strictly comply with the current Aeratis installation instructions shall terminate this Warranty and all responsibility of Aeratis with respect to this Warranty and the Product. Aeratis shall extend the warranty to twenty (20) years if the application is registered and approved by Aeratis within one year of product install as proven by submitting an invoice along with the warranty extending documentation. It is the responsibility of the homeowner, or their designated agent, to inspect each board prior to installation to ensure that the product meets their expectations as Aeratis will take no responsibility for cosmetic defects noted following installation.

Purchaser shall notify Aeratis in writing within thirty (30) days from the discovery of an alleged defect, and, upon confirmation by an authorized Aeratis representative of the defect, Aeratis's sole responsibility shall be, at its option, to either replace the defective item or refund the portion of the purchase price paid by the Purchaser for such defective item (not including the cost of its initial installation). This warranty shall not cover, and Aeratis shall not be responsible, for costs and expenses incurred with respect to the removal of defective Aeratis products or installation of replacement materials, including, but not limited to, labor and freight. Should Aeratis products be proven to be installed within all local and national building codes, and installed within the guidelines set forth in the installation instructions available through the company, Aeratis will warrant against the adverse affects of expansion and/or contraction (expansion/contraction as defined by continuous movement influenced by temperature change and/or moisture). Such consideration shall not conflict with the above limitations regarding compensation. The foregoing remedies are the **SOLE AND EXCLUSIVE REMEDY FOR BREACH OF ANY WARRANTY.**

This warranty may be transferred one (1) time, within a five (5) year period beginning from original purchase by the Purchaser, to a subsequent buyer of the property upon which Aeratis products were originally installed.

Notice of any claim under this Warranty shall be given to Aeratis in writing to P. O. Box 11087, Chandler, AZ 85248. Aeratis shall not be responsible to any person or entity other than the Purchaser, and shall not be liable for incidental damage for personal injury or property damage and/or for any punitive or exemplary damages of any kind whatsoever.

This writing is understood and intended to be the final expression of the parties' agreement and is a complete and exclusive statement of the terms and conditions with respect thereto, superseding all prior agreements or representations, oral or written, and all other communication between the parties relating to the subject matter of this agreement. No agent, employee or any other party is authorized to make any warranty in addition to that made in this agreement. **NO WARRANTY EXTENDS BEYOND THE PERIOD DESCRIBED ABOVE. NO WARRANTY OF MERCHANTABILITY OR ANY OTHER WARRANTY IS EXPRESSED OR IMPLIED, EXCEPT AS SPECIFICALLY PROVIDED IN THIS WARRANTY.** No person is authorized to modify or change the terms of this Warranty in any way.

40070REV011215